

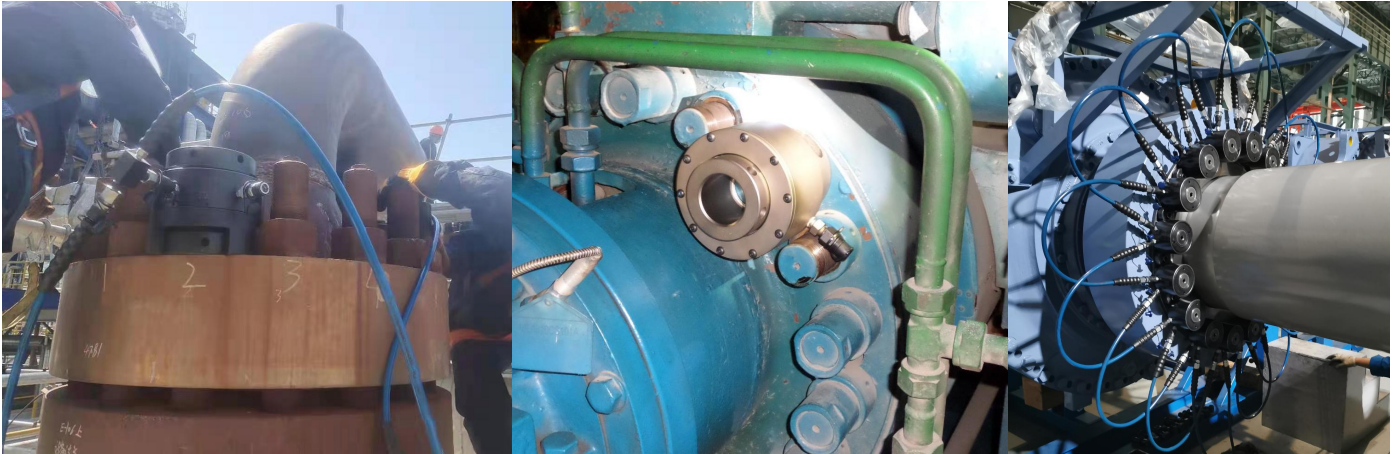


TLD series - Single stage hydraulic bolt tensioner

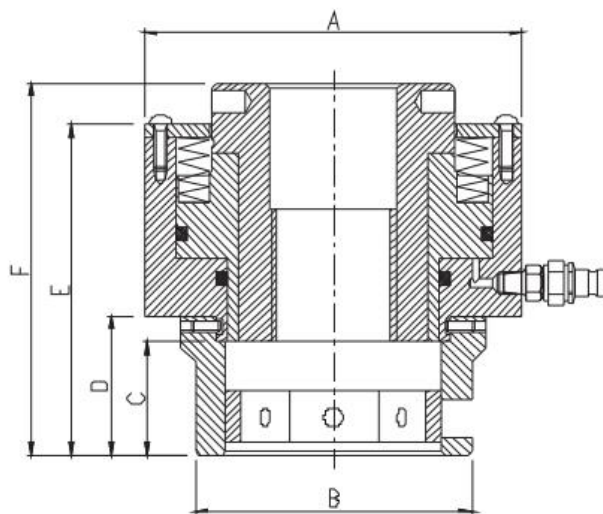


- *Maximum working pressure 150Mpa
- *Automatic return mechanism design
- *Red overstroke warning line to ensure operator safety.
- *One tensioner can be used for different size bolts, but the rod and bushing must be changed.

Application



Dimension



Technical parameters

Model	Bolt size mm	Max load KN	Dimension (mm)						Stroke mm	Weight Kg
			A	B	C	D	E	F		
TSD0	M 20	307	109	55	23	25	111	128	8	5
	M 22			60	25	27	113	130		
	M 24			66	27	29	115	132		
TSD1	M 24	486	109	74	27	29	120	138	8	7
	M 27			77	30	32	123	141		
	M 30			80	33	35	126	144		
	M 33			85	36	38	129	147		
	M 36			90	39	41	132	150		
TSD2	M 33	814	132	90	36	44	135	150	8	10
	M 36			96	39	47	138	153		
	M 39			98	42	50	141	156		
	M 42			105	45	53	144	159		
TSD3	M 39	989	150	110	42	42	136	150	10	15
	M 42			113	45	45	140	155		
	M 45			114	50	50	144	161		
	M 48			118	52	52	146	163		
TSD4	M 52	1413	174	132	55	56	154	174	10	20
	M 56			135	59	60	158	178		
TSD5	M 56	1649	198	135	59	60	161	179	12	25
	M 60			143	64	64	165	183		
	M 64			150	68	68	169	187		
	M 68			158	72	72	173	191		
TSD6	M 72	2131	222	165	76	76	184	207	12	35
	M 76			170	80	80	188	211		
TSD7	M 76	2544	252	170	80	80	194	221	12	50
	M 80			175	85	85	197	224		
	M 85			190	90	88	199	226		
	M 90			205	95	95	209	236		
TSD8	M 95	3101	282	215	100	100	214	243	12	65
	M 100			235	105	105	219	248		
TSD9	M 105	3793	318	240	110	110	224	254	12	85
	M 110			248	115	118	234	264		
	M 115			260	120	120	234	264		
TSD10	M 115	4936	360	260	120	120	261	297	12	110
	M 120			270	125	125	266	302		
	M 125			286	140	130	271	307		